



MUANGTHONG
ALUMINIUM

EURO mµSeries

WINDOWS & DOORS SYSTEM
The best AFFORDABLE for everyone

Introducing the new aluminium windows and doors system,
the EURO Profile Mµ Series

From Muangthong. Elegant, large scale and built to last.

***HIGH PROFILE
FOR SMART LIVING***

INSTALLER-FRIENDLY

What is μ ?

Introducing The New Windows & Doors Standard

The smart profile design is our sleek and stylish feature that allows you to adjust from multiple sides while reducing costs and waste emission. With its 45 degree fitting that has undergone rigorous performance tests, the μ Series is perfect for extremely warm temperatures and humid weather like the ocean front and coastal structures. The aluminium metal is resistant to salt vapor; its surface texture remains pristine under the harsh elements of the sun and wind. Plus, the system is easy to fit using only basic installation equipment.



45°

45° New Angle - New Elegant

The Euro Design feature offers the 45 degree joint angle innovation. Structural layers are fortified through stiffeners for high performance and durability.



Wider Exposure with Multi-sliding Windows System

Muangthong Euro Profile is a 3-track system with 1.4 mm in thickness, designed specifically to handle significant weight for Larger sized windows. Enjoy the view and breeze with a windows system that can take up to 3 sliding windows for more exposure.



Water Tightness

The EDPM seal makes an ideal adhesion for its water drainage system at the bottom track. The newest series of Muangthong windows and doors standard has been tested for water resistance at 350 Pa.

HIGHER PERFORMANCE FOR SMART LIVING

Why Muangthong Euro Profile M μ Series?

SMART PERFORMANCE

Windload capacity of up to 1600 Pascal*

SMART INSIDE

Compatible Eurogroove design with other standardized systems

SMART CHOICE

Designed for strength and compatibility with both Single Point Lock and Multi-Point Lock, window screens can be added on its existing track with no new frames needed.

LESS IS MORE

Less resources wasted, great investment.

TRUSTED ALUMINIUM

From our Alloy 6063 T5, Muangthong's trusted aluminium products are processed and standardized through the ISO : 9001 and ISO : 14001, and strength-tested to ensure the highest of quality and standard compliance. Our meticulous process and treatment from start to finish, including refined coating techniques have been well-reflected in our workmanship.

*under 2.2x2.4 metres window size.



Noise Reduction

With glass surface at just 6-8 mm thick can help buffer external noise, for comfort and peace of mind right in your own home.



Air Tightness Performance

Mitered frames provide seamless fitting edges that help prevent air leaks, for A/C energy efficiency.

Muangthong EURO SYSTEM μ Series

GREAT FOR TROPICAL CLIMATE

With year-round temperamental weather, be well-prepared for anything that goes from the scorching sun to the overflowing monsoon. Aluminium is an all-around element that withstands the test of environment and temperature, making it a great choice for housing structures built in the tropical region such as Thailand and Southeast Asia.

VENTILATION

With sweltering heat comes the need for a ventilation system. Large windows that can flush out warm air and bring in cooler airflow indoors are key to good ventilation.

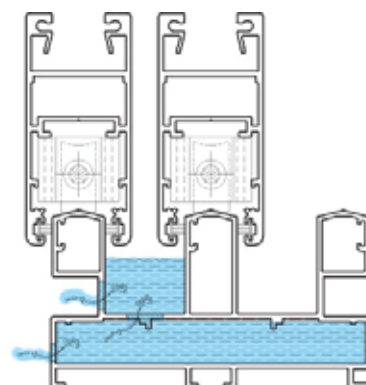
RAINPROOF

Efficient sealant systems are designed with wider screen tracks to irrigate the pooling of rainwater outwards. Extra-added screen option available for rain protection.

1.4 mm thickness with reinforced plates
for larger sized windows and protection from
external elements.



EURO DRAINAGE SYSTEM

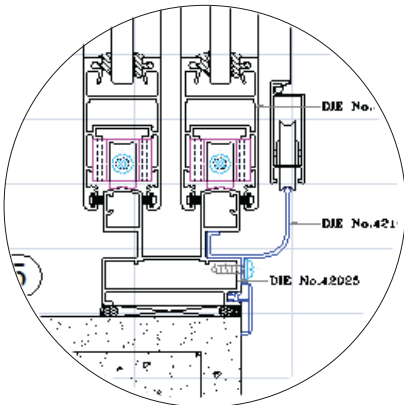


NOISE REDUCTION

Our EDPM sealant is a reliable bond that makes all doors and windows tightly secured, providing noise absorption and wind resistance that allows you to enjoy your dwellings in quiet comfort.

TECHNICAL DETAILS

Smart New Standard

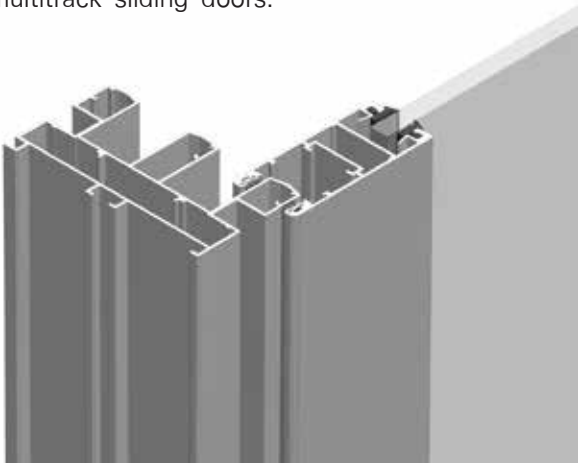


NEW FRAME

2/3 track sets of 50, 90, 100 mm Class A type aluminium frames on all 4 even sidings. Frames complement our streamlined window facade at a 45 degree angle fitting with a 65 mm frame for glass panes up to 6-8 mm thick.

NEW DIMENSION

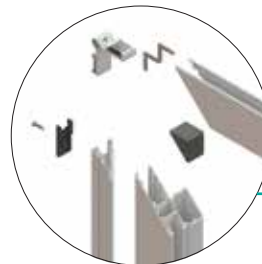
With the new system, doors and windows can be as large as 3 meters, with multiple track frame that allows full exposure for an open, airy environment, and can be open and closed within one simple maneuver. Choose up to 1-16 multitrack sliding doors.



SMART ASSEMBLY

Proven for practical, every day usage

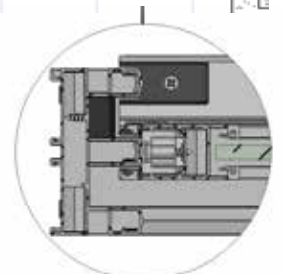
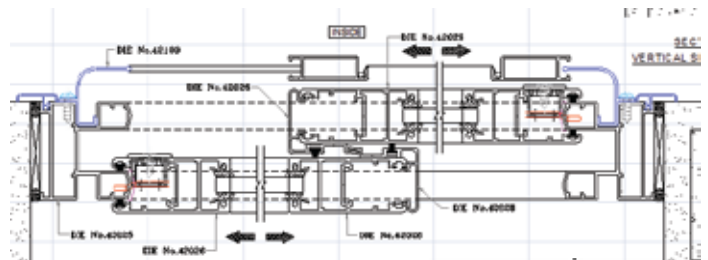
- With strong sealant track between the aluminium frame and concrete molding, sleek trims are added for that elegant, finishing touch
- Extra track space for 43.5 mm screen doors that fits larger-sized dimensions for all 3 tracks
- Permanently fixed side track equipped with lock, handle and insulation strip for smooth traction and impact-resistance performance
- Easy installation with 45 degree casing



secure sealant process in just a few simple steps with the hardware profiling system

HARDWARE

Smooth Operator with double roller systems that accommodate up to 90-180 kg. Hardware is water resistant with EDPM rubber strip and comes with insulation strip for noise reduction.



EURO μ Serie Selection Guide

1

Choose your frame size that allows 6-8 mm fitting for better energy efficiency and durability

Sliding Windows



Alternate 2/3 track sliding windows



4-panel 2/3 track sliding windows



Alternate 3-panel

Sliding Doors



Alternate 3-track double panel



4-panel on 3 tracks



Alternate 3-panel



6-panel on 3 tracks

Casement and Awning Windows

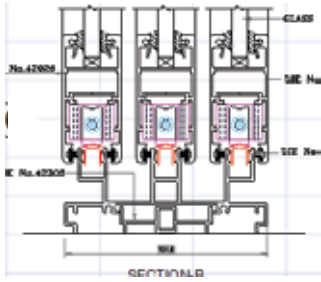


Single casement window



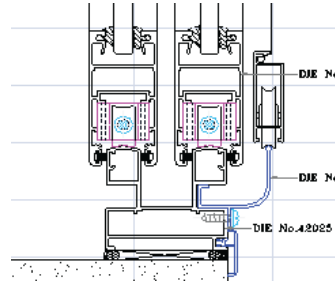
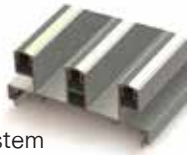
Top hung awning window

Tracks



3-track system

Tracks come in 90 and 100 mm for wider doors and windows exposure. Third track serves as optional screen fitting with 2 types to choose from by function needs.



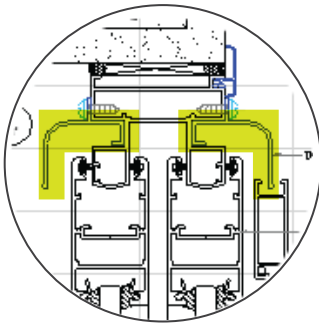
2-track system

Track is 50 mm wide, suitable for windows and doors that require limited space. Additional screen options are available.



2 Choose additional features

Rain traction



Bar Handle



- Bar Handle
inlaid design for a sleek style
- Flush handle
- Multi-point lock
- Safety cap and weep hole to drain water from the tracks
- Door stopper

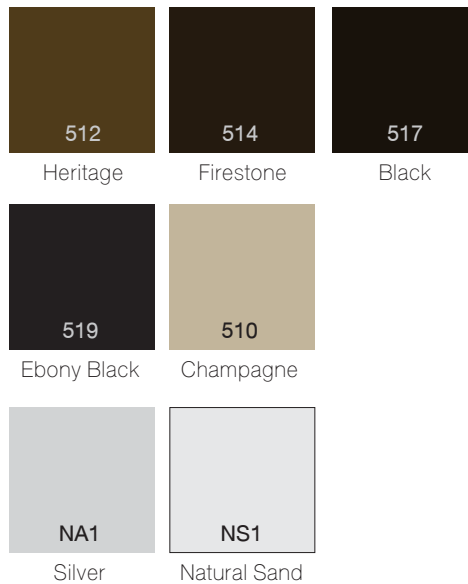
3 Choose your color and finish

From metallic anodized** (15 microns), Sahara powder coating* or natural wood effects.

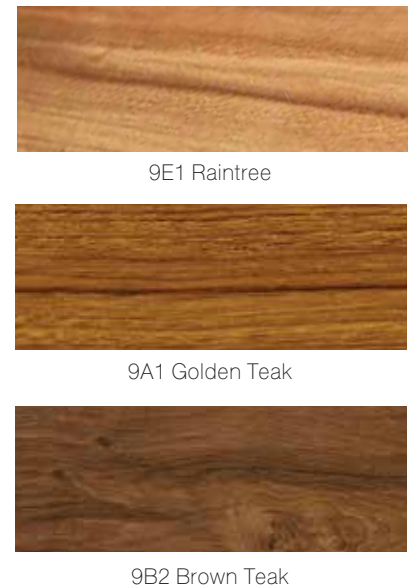
Powder Coating Sahara



Anodizing



Wood Effect



*Powder Coating processed with high-heat treatment for durability and rich pigment (60-80 microns) by JOTUN Paint with 10-year warrantee and 25-year warrantee for Super Durable.

**Anodize treatment, industry approved by TIS Standards; 218-2520

SMART INSIDE

Innovation within

For better performance and durability
with less maintenance hassle



for further information on **mp** Series EURO SYSTEM
More Informations Contact :

Muangthong Aluminium Industry Co.,Ltd.

66 M.11 Soi Vilalai Bangna-Trad Rd.(km.20) Bangchalong, Bangplee, Samutprakarn 10540 Thailand

Tel : +66 2-337-2348-50 ext.220 Fax : +66 2-337-2612 www.mtaluminium.com



Standard

